

TABLE "A" RAFTER SPANS (DOUGLAS FIR #2 OR BETTER)		
SIZE	SPACING	SPAN
2 x 4	12" O.C.	9'-10"
	16" O.C.	8'-11"
	24" O.C.	7'-8"
	32" O.C.	*6'-3"
2 x 6	12" O.C.	15'-4"
	16" O.C.	13'-9"
	24" O.C.	11'-3"
	32" O.C.	*9'-7"
2 x 8	12" O.C.	20'-0"
	16" O.C.	18'-2"
	24" O.C.	14'-10"
	32" O.C.	*12'-8"
2 x 10	12" O.C.	20'-0"
	16" O.C.	20'-0"
	24" O.C.	18'-11"
	32" O.C.	*16'-2"
4 x 4	24" O.C.	10'-0"
	32" O.C.	*9'-3"
	48" O.C.	*7'-8"
4 x 6	24" O.C.	15'-11"
	32" O.C.	*13'-9"
	48" O.C.	*11'-3"
4 x 8	24" O.C.	20'-0"
	32" O.C.	*18'-2"
	48" O.C.	*14'-10"

TABLE "B" HEADER SIZE & SPANS (DOUGLAS FIR #2 OR BETTER)		
RAFTER SPAN	HEADER	
	SPAN	SIZE
UP TO 12'-0"	8'-0" MAX	4 x 6
	10'-0" MAX	4 x 8
	12'-0" MAX	4 x 10
	14'-0" MAX	4 x 12
12'-1" TO 20'-0"	8'-0" MAX	4 x 8
	10'-0" MAX	4 x 10
	12'-0" MAX	4 x 12
	14'-0" MAX	4 x 14

TABLE "C" FOOTING SIZE
BASED ON 1000 P.S.F. SOIL BEARING PRESSURE.
18" SQ. X 12" DEEP
18" SQ. X 12" DEEP
18" SQ. X 12" DEEP
18" SQ. X 12" DEEP
24" SQ. X 12" DEEP
24" SQ. X 12" DEEP
24" SQ. X 12" DEEP
24" SQ. X 12" DEEP

TABLE "D" LEDGER BOLTING $\Delta$
ALL LAG BOLTS SHALL HAVE 1/4" PRE-DRILLED HOLES - (SEE NOTE 2)
1/2" DIA. X 5" LONG AT 16" O.C. STAGGERED
(2) 3/8" DIA X 5" LONG AT 16" O.C.

- NOTES:**
- TWO 2X MEMBERS MAY BE SUBSTITUTED FOR ONE 4X HORIZONTAL FRAMING MEMBER.
  - LAG BOLTS MUST FULLY ENGAGE A WOOD STUD OR RIM JOIST AND BE PROVIDED WITH APPROPRIATE WASHERS. LAG BOLTS SHALL BE LOCATED A MINIMUM OF 1-1/2" FROM THE TOP OR BOTTOM OF THE LEDGER.
  - NOT DESIGNED TO BE ENCLOSED - ADDITIONAL ENGINEERING ANALYSIS WILL BE REQUIRED IF ENCLOSED.
  - SEE PAGE 2 OF 2 FOR CONSTRUCTION DETAILS.
  - ARTIFICIAL LIGHTING IS REQUIRED IN ROOMS THAT HAVE WINDOW OPENINGS INTO THE COVERED PATIO AREA IF THE TOTAL WINDOW AREA IN THAT ROOM IS LESS THAN 10% OR THE FLOOR AREA OF THE ROOM OR 20 SQUARE FEET, WHICHEVER IS GREATER.  $\Delta$

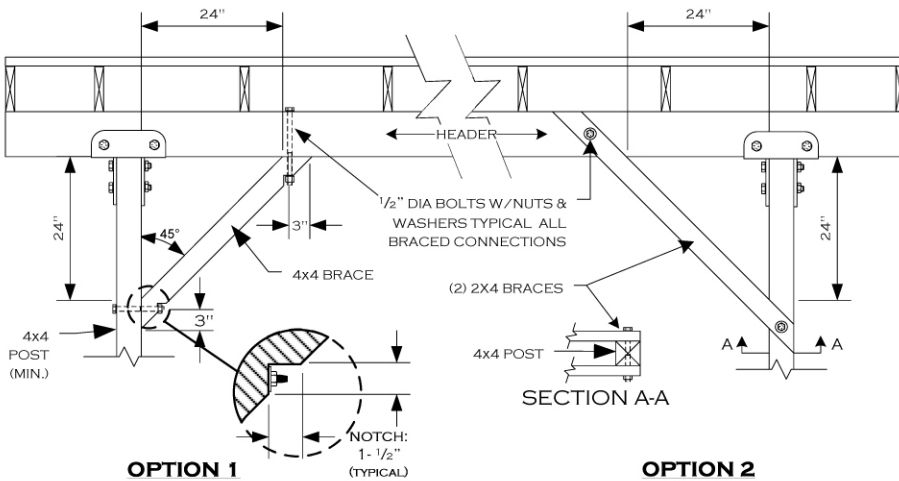
**DISCLAIMER:**  
ALTERNATE PATIO DESIGNS MAY BE POSSIBLE WHEN PROVIDED WITH AN ENGINEERED ANALYSIS. USE OF THIS CONVENTIONAL STANDARD DESIGN IS AT THE USER'S RISK AND CARRIES NO IMPLIED OR INFERRED GUARANTEE AGAINST FAILURE OR DEFECTS.

\* THIS SPACING AND SPAN IS FOR LATTICE PATIO COVERINGS ONLY.

<b>WESTERN RIVERSIDE COUNTY CODE UNIFORMITY PROGRAM</b>	
	<b>CITY OF MORENO VALLEY</b> Building & Safety Division
	<b>PATIO COVER STANDARD</b>
14177 FREDRICK ST MORENO VALLEY CA, 92552	
951.413.3350	1/1/2008 $\Delta$ MVPatioStd2008.VSD PAGE 1 OF 2

## KNEE BRACE DETAIL AT END POSTS

(REQUIRED WHEN RAFTER SPAN EXCEEDS 12 FT.)

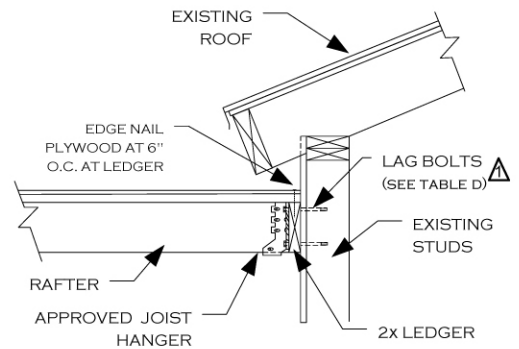


OPTION 1

OPTION 2

## LEDGER ATTACHMENT

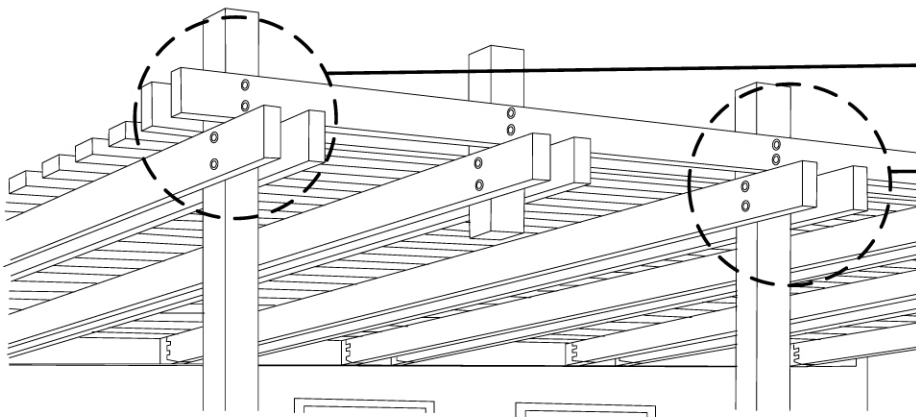
### DETAIL



**NOTES:**

1. USE A CONTINUOUS 2X LEDGER – SAME DEPTH AS RAFTER OR LARGER
2. SEE TABLE "D" FOR BOLTING REQUIREMENTS

## INVERTED HEADER DESIGN OPTION (LATTICE ONLY)



TWO 1/2" DIA. THRU-BOLTS (W/ WASHERS), PER CONNECTION AS SHOWN

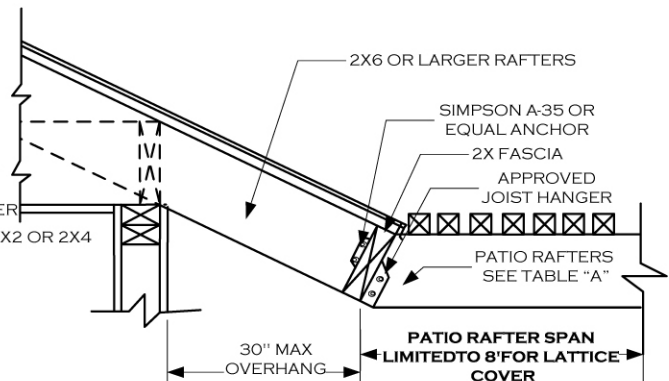
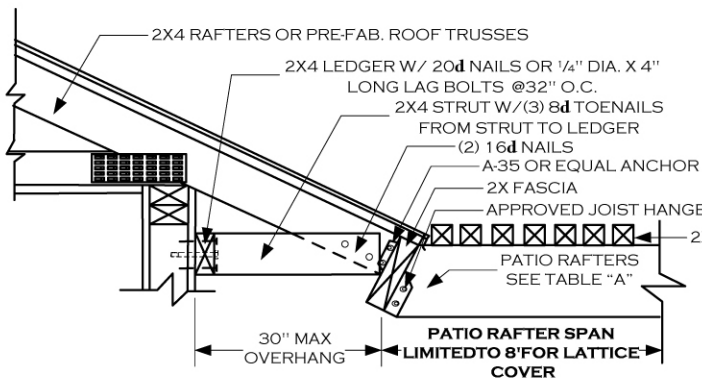
FOR HEADERS OR RAFTERS-TWO 2X MEMBERS MAY BE SUBSTITUTED FOR ONE 4X MEMBER. SEE TABLES "A" & "B" FOR SPAN LIMITS

**NOTE:** KNEE BRACING REQUIRED WHEN RAFTER SPAN EXCEEDS 12 FEET

## 2X FASCIA (OVERHANG) ATTACHMENT – LATTICE ONLY

OPTION 1

OPTION 2



**NOTE:** VERIFY STRUCTURAL SOUNDNESS OF ROOF RAFTERS FOR DECAY OR TERMITE DAMAGE, AND REPLACE WITH LIKE MATERIALS AS NEEDED, AFTER CONSULTATION WITH THE BUILDING DEPARTMENT.

### WESTERN RIVERSIDE COUNTY CODE UNIFORMITY PROGRAM



CITY OF MORENO VALLEY  
Building & Safety Division

## PATIO COVER STANDARD

14177 FREDRICK ST  
MORENO VALLEY CA, 92552

951.413.3350