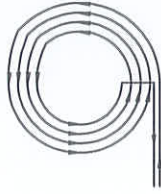


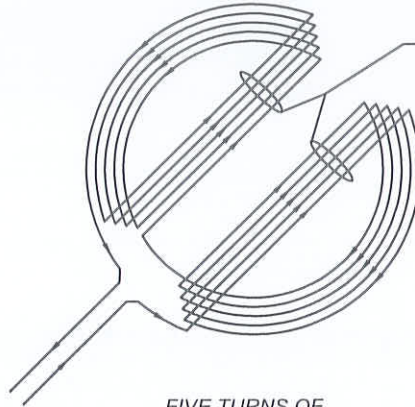
WINDINGS

TYPE "E" LOOP



FOUR TURNS OF LOOP WIRE

TYPE "D" LOOP (MOD)

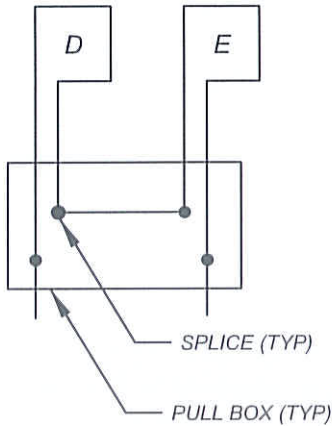


FIVE TURNS OF LOOP WIRE

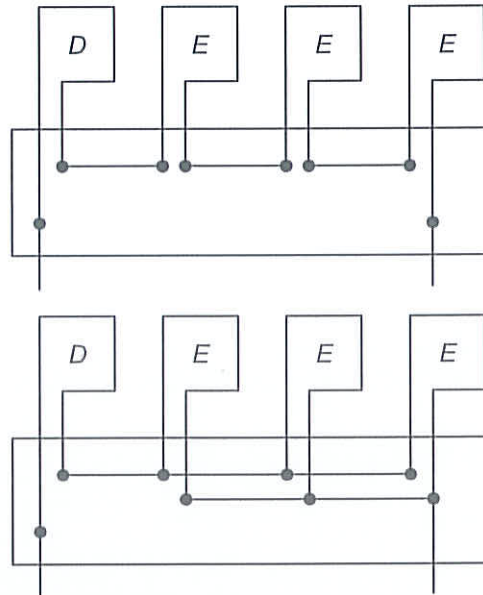
DIRECTION OF CURRENT FLOW SHALL BE THE SAME IN THESE TWO SAWCUTS

CONNECTIONS

TWO LOOPS IN LANE



FOUR LOOPS IN LANE



SERIES

WIRING METHOD TO BE DETERMINED BY THE ENGINEER.

**SERIES/
PARALLEL**

SEE STD PLAN MVL-450A-0 OR MVL-450B-0 (AS APPLICABLE) FOR ADDITIONAL REQUIREMENTS.

NOT TO SCALE



RECOMMENDED:
 EL 1/21/14
 DIVISION MANAGER DATE
 APPROVED:
 [Signature] 1/29/14
 PUBLIC WORKS DIRECTOR / DATE
 CITY ENGINEER

CITY OF MORENO VALLEY
 PUBLIC WORKS DEPARTMENT - TRANSPORTATION ENGINEERING DIVISION

**TRAFFIC INDUCTION LOOPS
 WIRING DETAILS**

STANDARD PLAN
MVL-450C-0
 SHEET 3 OF 3